

SCBA with warning whistle



QS II



Incurve

SCBA with resistance warning

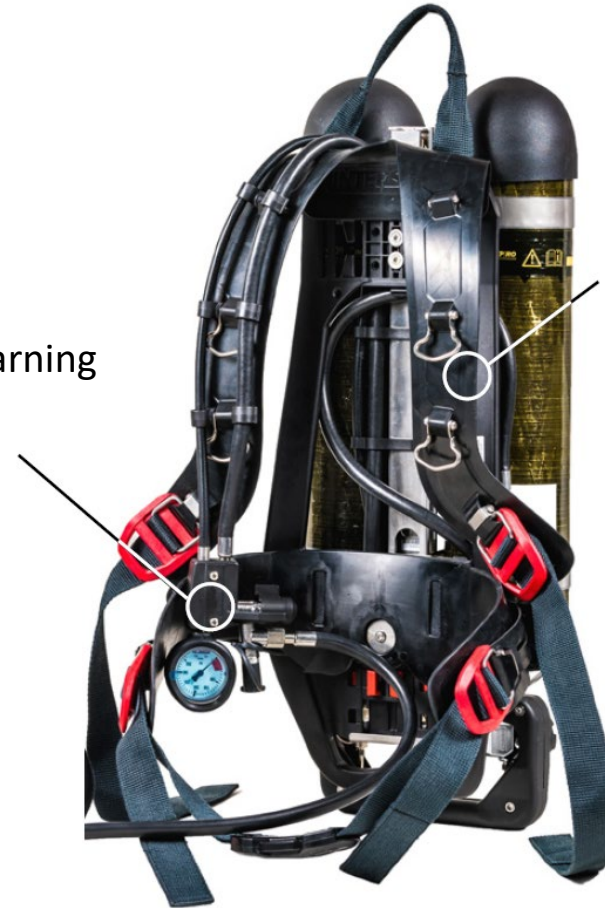
Reserve air warning
with handle



QS II-R

Adjustable, textile
harness

Reserve air warning
with handle



Incurve-R

Adjustable, easy
clean rubber harness

SCBA - other



Harness

Warning whistle

Spiromatic 90U



Adjustable, textile harness

Digital Display unit

Spiroguide II

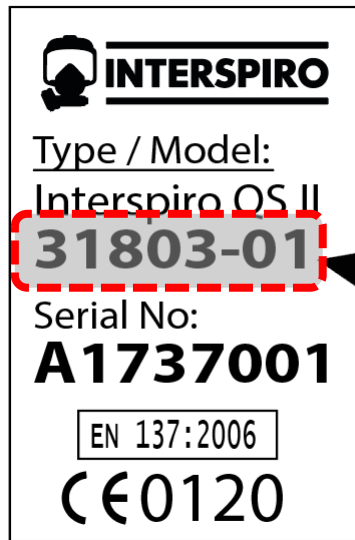


Adjustable, easy clean rubber harness

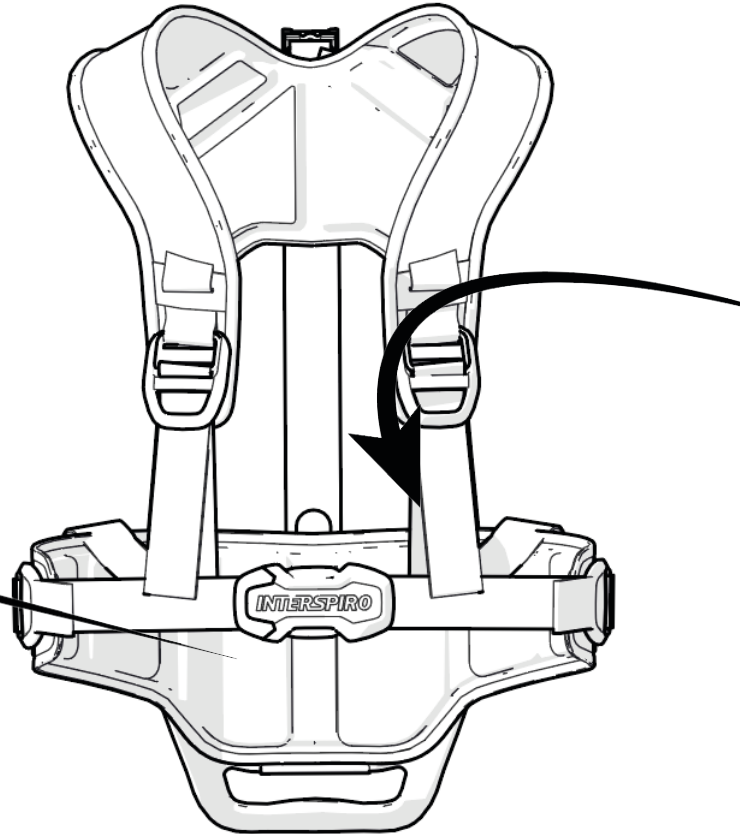
Digital display unit

Incurve-E

Marking of SCBA



Article number



Apparatus



Serial number

Mask with quick connection



Quick connection

Inspire-H
Ambient air hatch



Quick connection

Inspire-A
Automatic

Mask with locked valve



Speech cone
locks the valve in
place

S-H
Ambient air hatch



Speech cone
locks the valve in
place

S-FB
Automatic activation

Filter mask



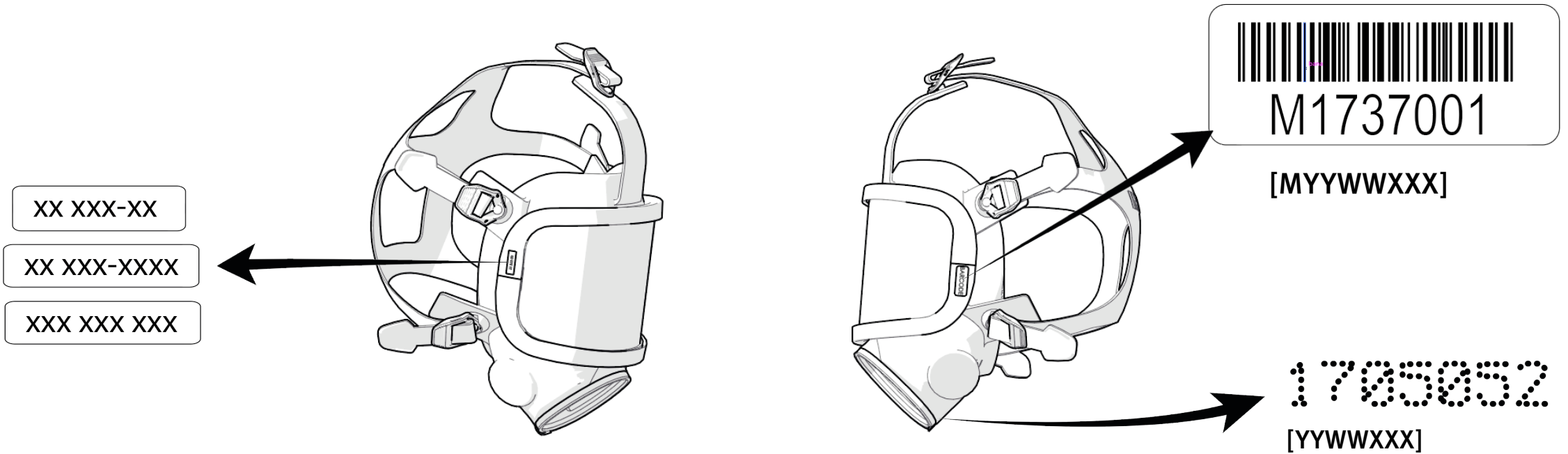
Respire N – Filter mask

Mask older valve



Spiromatic

Marking of mask



Article number

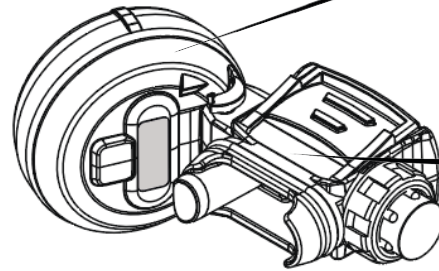
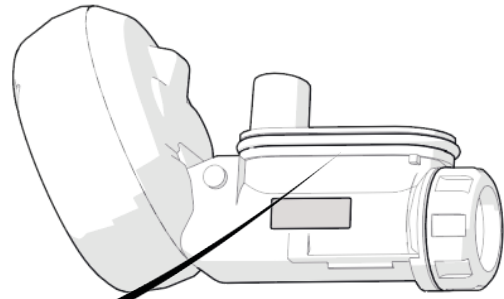
Mask

Serial number

Marking of breathing valve

XX XXX-XX

XXX XXX XXX



[BYYWWXXX]

1705052

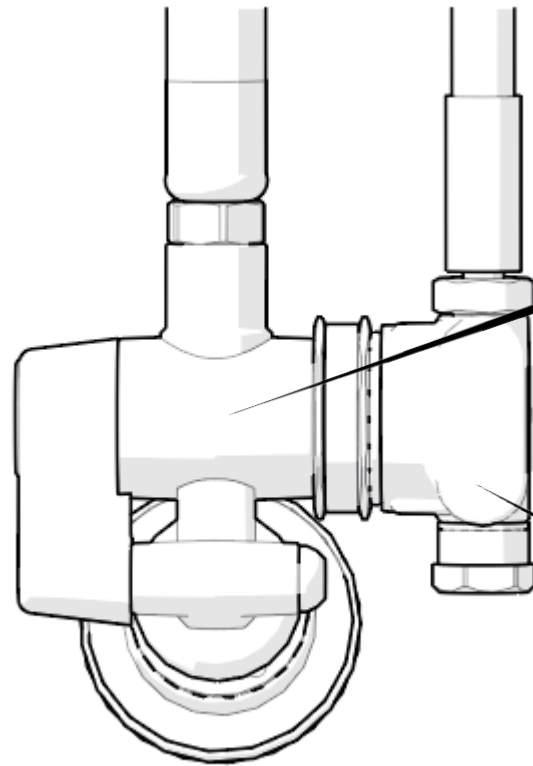
[YYWWXXX]

Article number

Breathing valve

Serial number

Marking of regulator unit



[RYYWWXXX]

1705052

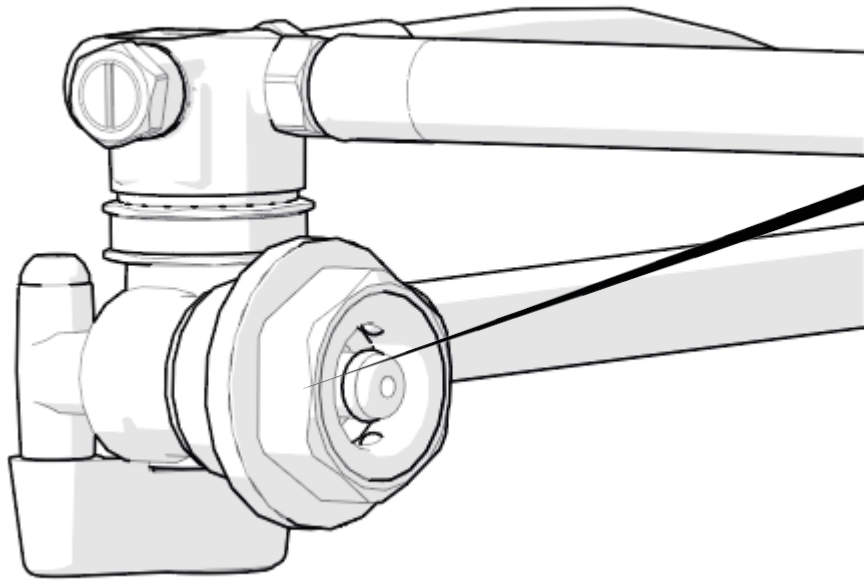
Plug-in regulator

[YYWWXXX]

Regulator unit

Serial number

Marking of cylinder quick coupling



P05

[PYY]

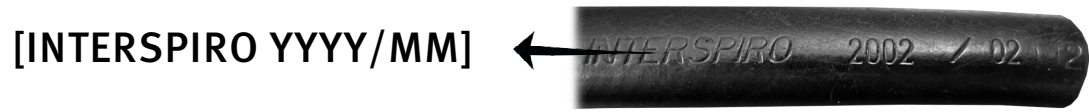
0517052

[YYWWXXX]

Cylinder quick coupling

Serial number

Marking of hoses



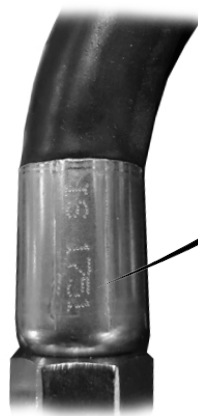
[INTERSPIRO YYYY/MM]



05/17
[YY/WW]

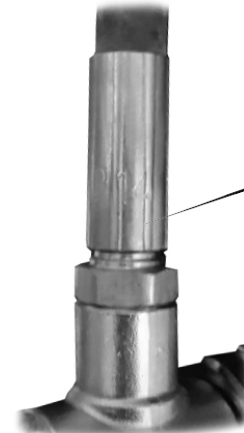


0517
[YYWW]



0517
[YYX]

1505/17
[IS YY/WW]

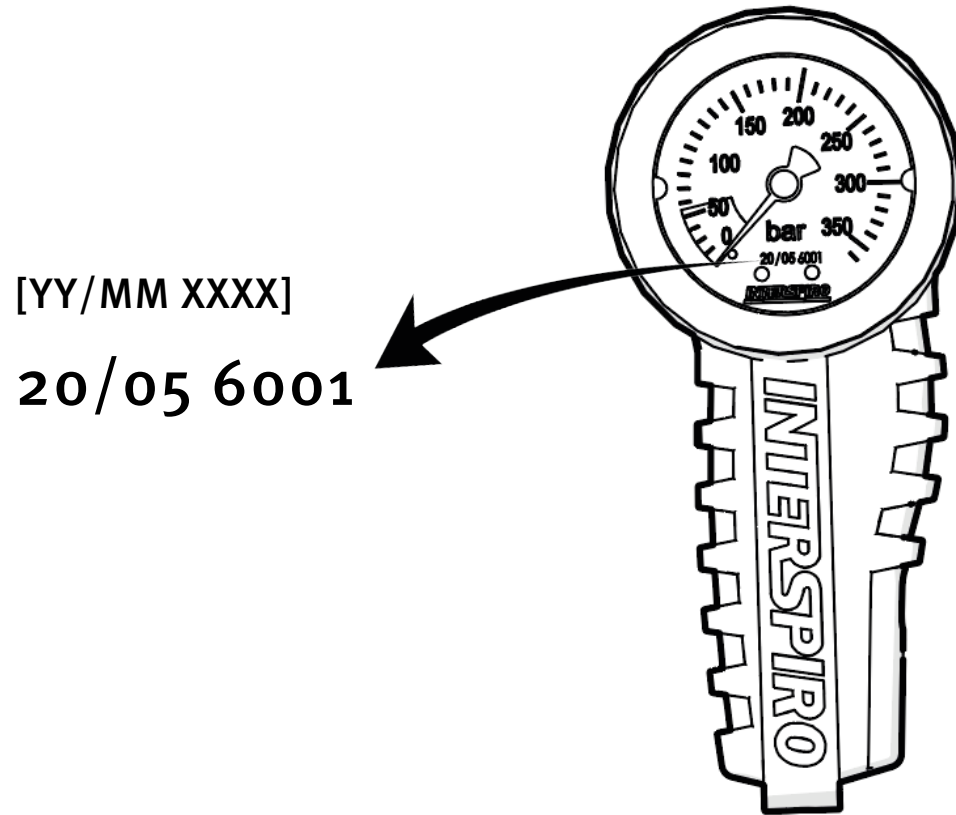


P05
[PYY]

Medium pressure hoses

High pressure hoses

Marking of gauge



Gauge